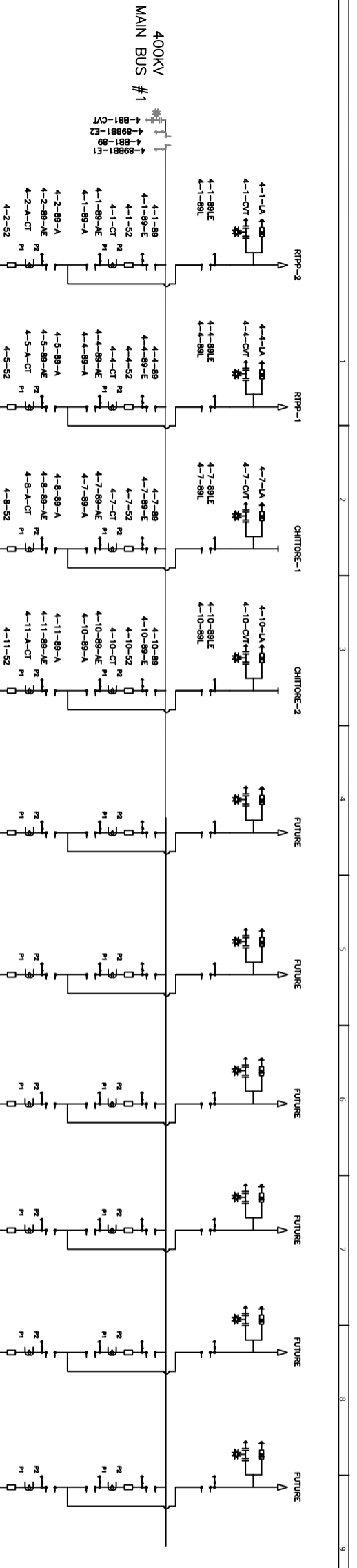
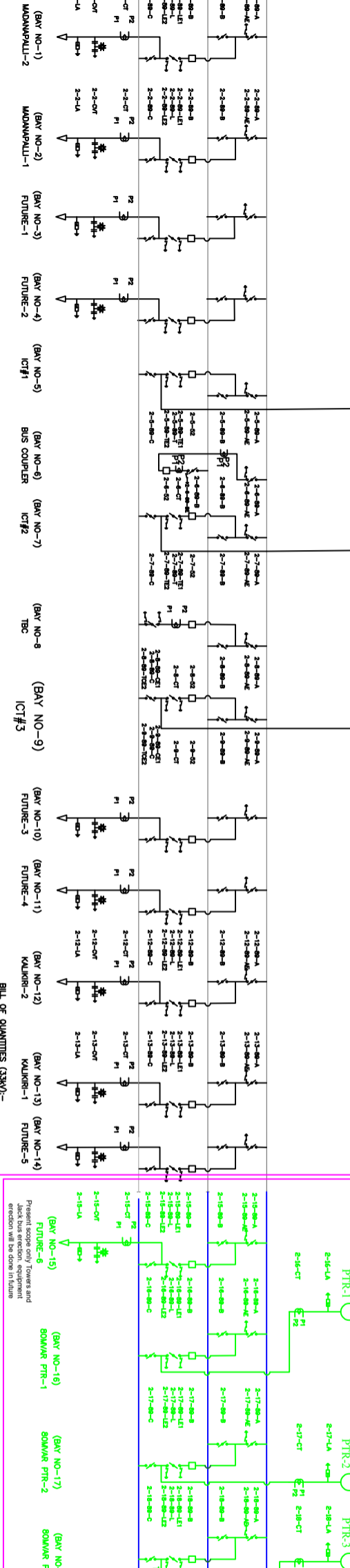


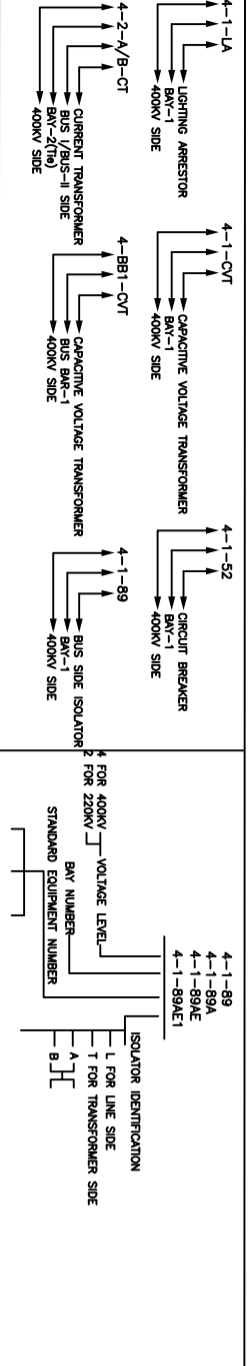
S.NO.	LEGEND	DESCRIPTION	TOTAL QTY.	UNITS
01		245KV, 2500A, 50KA for 1 Sec., 3-PHASE, SF6 CIRCUIT BREAKER	03	SETS
02		HORIZONTAL DOUBLE BREAK ISOLATOR WITH TWO EARTH SWITCH	03	SETS
03		HORIZONTAL DOUBLE BREAK ISOLATOR WITH ONE EARTH SWITCH	03	SETS
04		HORIZONTAL DOUBLE BREAK ISOLATOR WITHOUT EARTH SWITCH	06	SETS
05		245KV, 1600A, 50KA for 1Sec., 3-PHASE, SURGE ARRESTER 1-PHASE.	09	NOS.
06		245KV CAPACITIVE VOLTAGE TRANSFORMER 1-PHASE, 4400PF, 3-CORE	03	NOS.
07		5 CORE CURRENT TRANSFORMER, 1-PHASE 245KV, 1600-1200-800V(1-1-1)-1A, 50KA for 1 Sec.	09	NOS.
08		Low Bus Post Insulators (LBPIS)	36	NOS.
09		High Bus Post Insulators (HBPIS)	09	NOS.



Sr. NO.	DESCRIPTION OF PARAMETERS	SYSTEM RATING	SYSTEM RATING
01	NOMINAL SYSTEM VOLTAGE (KV)	220	33
02	HIGHEST SYSTEM VOLTAGE(KV)	246	36
03	RATED FREQUENCY	50	50
04	NO. OF PHASES	3	3
05	RATED INSULATION LEVELS		
A)	FULL WAVE IMPULSE WITHSTAND VOLTAGE (1.2/50 micro sec.)	1050kVp	170kVp
B)	SMOOTHING IMPULSE WITHSTAND VOLTAGE (250/2500 micro sec.) DRY AND WET	-	-
C)	ONE MINUTE POWER FREQUENCY DRY & WET WITHSTAND VOLTAGE (KV)	460kV	-
06	CORONA EXTINCTION VOLTAGE	156kV	-
07	MAX. RATIO INTERFERENCE VOLTAGE FOR FREQUENCY BETWEEN 0.5 Hz AND 2 Hz AT 25KV rms FOR 42KV SYSTEM AND 15KV rms FOR 25KV SYSTEM	1000mV	1000mV
08	RATED SHORT CIRCUIT CURRENT FOR 1 SEC. DURATION	50KA	31.5KA
09	SYSTEM NEUTRAL EARTHING	EFFECTIVELY EARTHED	EFFECTIVELY EARTHED
10	SYSTEM FREQUENCY (Hz)	50	50
11	BUS CONFIGURATION	Double Bus & Transfer	Single Bus
12	OVERHEAD DISTANCE	31mV	31mV/IV



LEGEND FOR ALL EQUIPMENT OF 400/220 KV SWITCHYARD [EXCLUDING ISOLATOR(89)] :-



ISOLATOR 89 IDENTIFICATION FOR 400KV SIDE

Sr. NO.	LEGEND	DESCRIPTION	TOTAL QTY.	UNITS
01		3kV VDR, 3 Poles, 2500V, 31.5 KA, 3 Sec	14	SETS
02		3kV HDB ISOLATOR, 3-Phase, 200KV, 31.5KA, without E/A for bus interconnections and PFR LV BUS	9	SETS
03		3kV HDB ISOLATOR, 3-Phase, 200KV, 31.5KA, without E/A for bus interconnections and PFR LV BUS	24	SETS
04		3 CORE CURRENT TRANSFORMER 1-PHASE, 300V, 200-100-800/1-1-1A, 31.5KA for 3 Sec.	09	NOS
05		3kV, 80/1A, 31.5KA for 3 Sec.	24	NOS
06		1 CORE METERING CURRENT TRANSFORMER 1-PHASE, 300V, 2000/1A, 31.5KA for 3 Sec.	18	NOS.
07		1 CORE METERING CURRENT TRANSFORMER 1-PHASE, 300V, 2000/1A, 31.5KA for 3 Sec.	03	NOS.
08		3kV, 80/1A, 31.5KA for 3 Sec.	36	NOS.
09		3kV, 1 CORE 33kV/11kV, POTENTIAL TRANSFORMER 1-PHASE, 33kV, 1 CORE 33kV/11kV, POTENTIAL TRANSFORMER 1-PHASE	18	NOS.

